

8

7

6

5

4

3

2

1

F

E

D

C

B

A

F

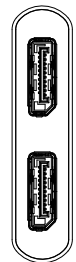
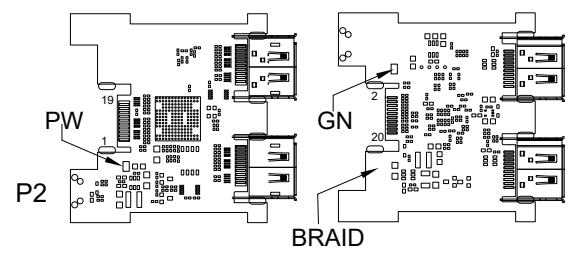
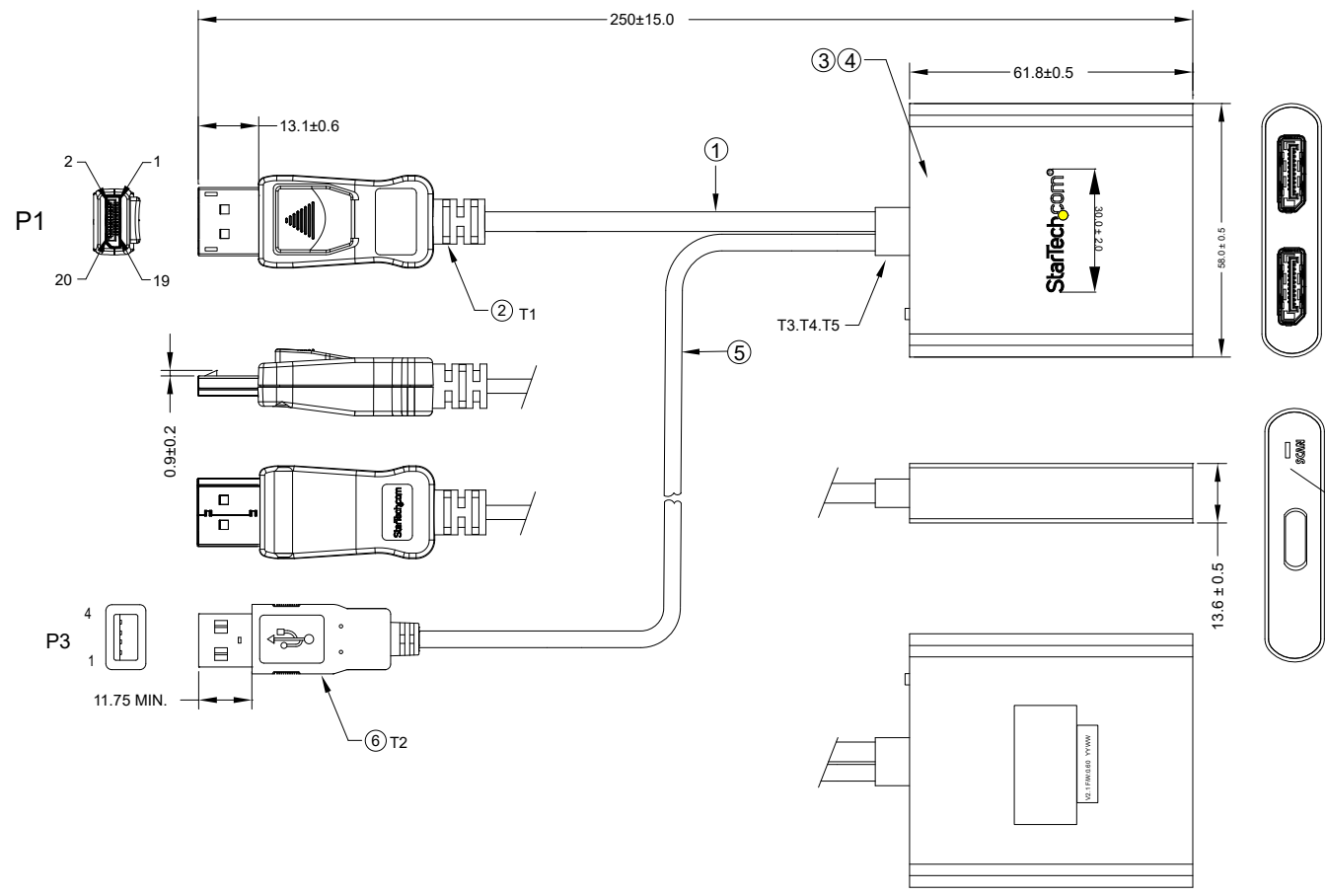
E

D

C

B

A



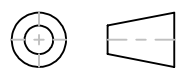
1		WHITE	12
2	PAIR1	DRAIN	11
3		RED	10
4		WHITE	9
5	PAIR2	DRAIN	8
6		BLUE	7
7		WHITE	6
8	PAIR3	DRAIN	5
9		GREEN	4
10		WHITE	3
11	PAIR4	DRAIN	2
12		ORANGE	1
13	CONFIG	YELLOW	13
14	CONFIG	ORANGE	14
15		WHITE	15
16	PAIR5	DRAIN	16
17		BLACK	17
18	HPD	RED	18
19	GND	BLACK	19
SHELL	GND	BRAID	SHELL
P1		Wire Color	PCB
Wire List			

P3	COLOR	P2
1	RED	PW
2		
3		
4	BLACK	GN
SHELL	BRAID	SHELL

NOTES:
 1. ALL MATERIALS ARE RoHS COMPLIANT.
 2. Electrical Performance:
 1). DP Connector Impedance: 100±10Ω
 2). Cable Impedance: 100±5Ω
 3). Video Test Every Production.
 3. StarTech Logo color
 "StarTech" is white
 "O" is PANTONE 123C
 "com" is PANTONE Cool gray 9C

6	CONN.	CONN,USB A 4P	1	SET
5	CABLE	CBL,UL21100,22#2C+AB,BK001,OD4.0LSNH,80-85A,10S0005	AR	M
4	SHELL	DP1.2 HUB 1 TO 2 SHELL	1	SET
3	PCBA	DP1.2 HUB PCBA v2.1(1 TO 2 WITH WIRE CHIP#STDP4320)	1	SET
2	CONN.	DisplayPort CONNECTOR GOLD-PLATED 15U" SHELL PLATED NICKEL	1	SET
1	CABLE	UL21100(34#*1P+EAM)*5+32#*2C+30#*2C+FAB,BK001,OD4.4	AR	M
No	NAME	DESCRIPTION	Q'TY	UNIT

THIRD ANGLE PROJECTION



GENERAL NOTES

DIMENSIONS ARE IN MM - DO NOT SCALE
 THIS DOCUMENT CONTAINS CONFIDENTIAL, PROPRIETARY INFORMATION THAT IS PROPERTY OF STARTECH.COM



PRODUCT ID	MSTDP122DP		
DESCRIPTION	DisplayPort to DisplayPort Multi-Monitor Splitter - 2-Port MST Hub		
REV: A	DO NOT SCALE	SHEET : 1 OF: 1	DATE: 04/14/2020

8

7

6

5

4

3

2

1